

LA/LAK 127



Citroen
C5

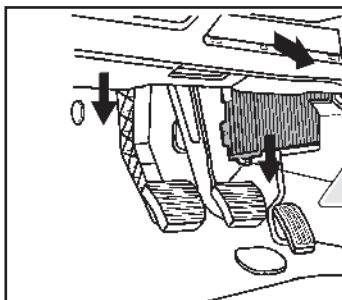
03/01 

© MAHLE

LA/LAK 127



Citroen C5



© MAHLE